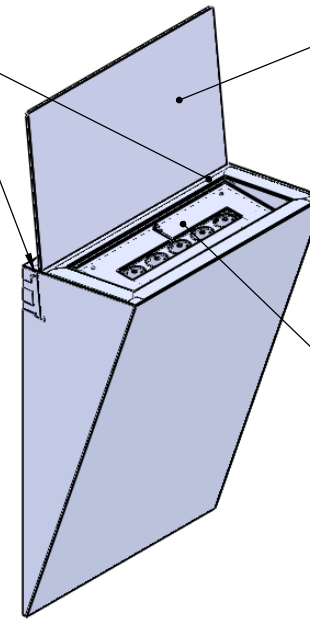
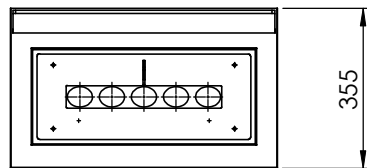


Sistema di fissaggio a parete mediante ganci regolabili su asole schienale

Vetro Flot Temprato Effetto Specchio



Bruciatore



S.S. Flaminia Km 146
06039 Matigge di Trevi (PG) Italy

tel. +39-0742-381202
fax +39-0742-386490

www.biofireplace.it
info@biofireplace.it progettazione@biofireplace.it

UNLESS OTHERWISE SPECIFIED: DIMENSIONS ARE IN MILLIMETERS		FINISH:		DEBUR AND BREAK SHARP EDGES		DO NOT SCALE DRAWING		REVISION					
SURFACE FINISH:		TOLERANCES:		LINEAR:		ANGULAR:		TITLE:					
DRAWN Florin Tugulan		SIGNATURE		DATE 03/01/2011				Camino Flash					
CHK'D													
APP'VD													
MFG													
Q.A						MATERIAL: Vetro Flot Temprato Effetto Specchio - Acc. Inox Satinato		DWG NO. Camino Flash					
						WEIGHT:		SCALE: 1:10					
								SHEET 1 OF 1					
Quote senza indicazione di tolleranza - Tolerance unless otherwise stated													
0-5	5-10	10-18	18-30	30-50	50-80	80-120	120-180	180-250	250-315	315-400	400-500	>500	Angoli Angles
± 0.10	± 0.15	± 0.20	± 0.25	± 0.30	± 0.35	± 0.40	± 0.45	± 0.50	± 0.55	± 0.60	± 0.65	± 0.75	± 30'
ANY REPRODUCTION OR TRANSFER OF THE PRESENT DRAWING MUST BE AUTHORIZED BY 'BIO'													